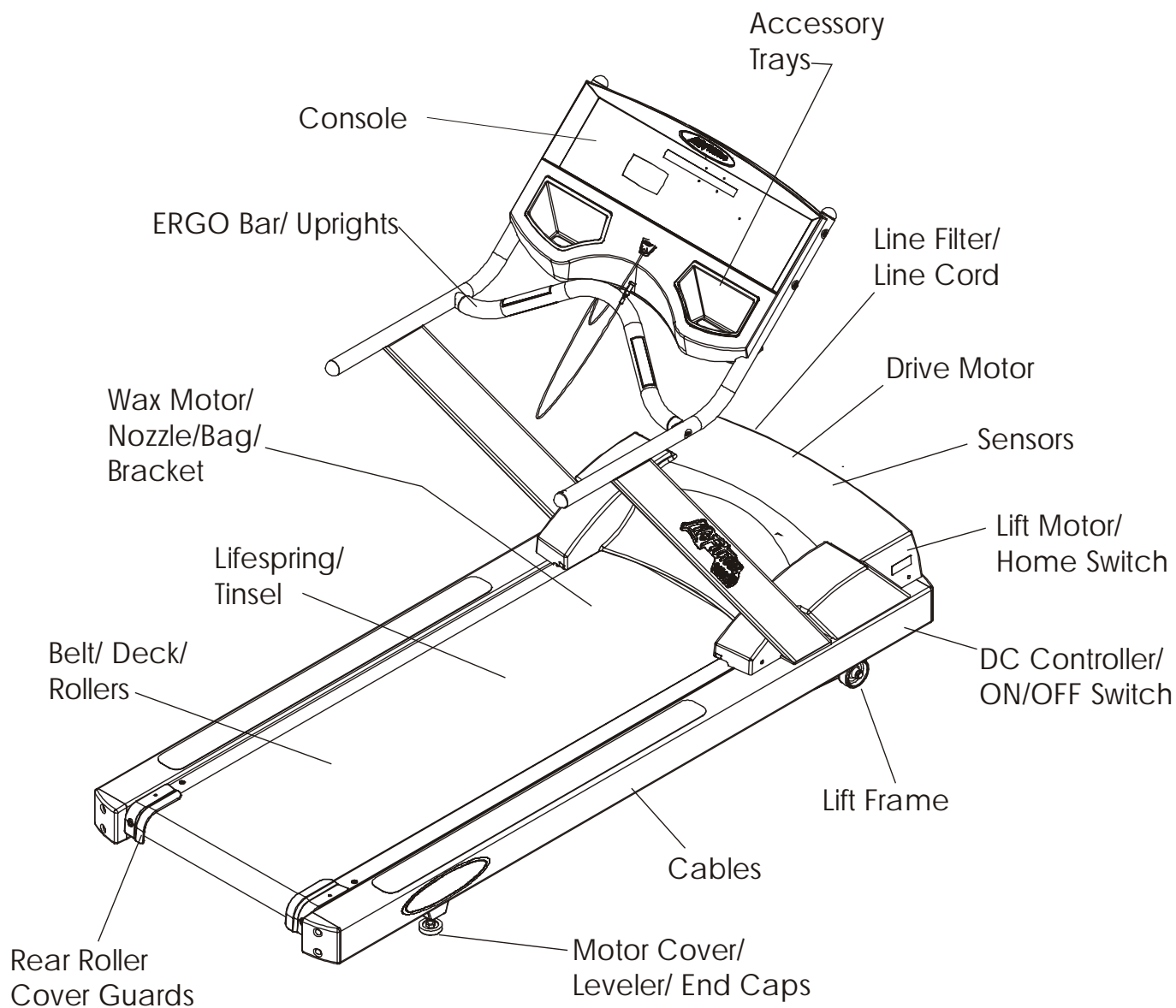


**General Assembly**

---

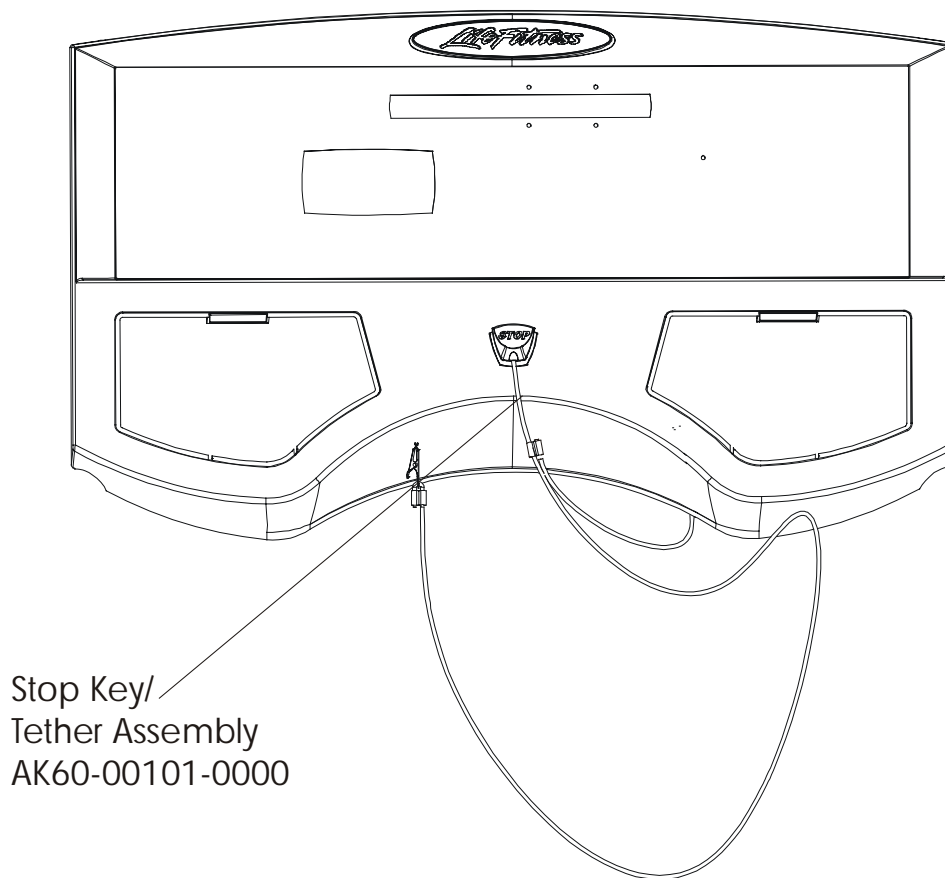


|                                |                         |
|--------------------------------|-------------------------|
| <b>Operation Manual TR91Ti</b> | <b>M051- 00K20-A028</b> |
| <b>Service Manual TR91Ti</b>   | <b>M051-00K60-A023</b>  |
| <b>Hardware Bag</b>            | <b>AK60-00053-0001</b>  |

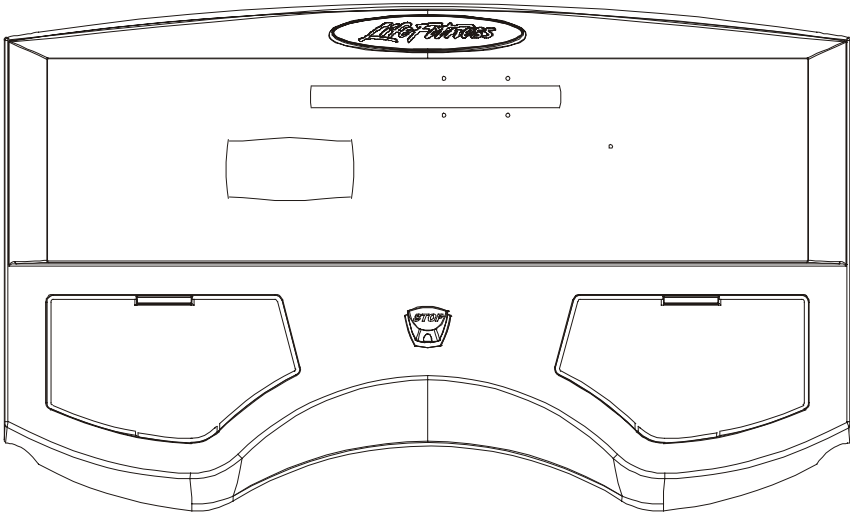
**Console Assembly (1of 3)**

---

| TR9000 Console Assembly |         | TR9000 Overlay Bezel |         |
|-------------------------|---------|----------------------|---------|
| AK60-00111-0001         | Eng/Met | AK60-00108-0001      | Eng/Met |
| AK60-00111-0003         | Ger/Met | AK60-00108-0003      | Ger/Met |
| AK60-00111-0004         | Spn/Met | AK60-00108-0004      | Spn/Met |
| AK60-00111-0006         | Jap/Met | AK60-00108-0006      | Jap/Met |
| AK60-00111-0007         | Frn/Met | AK60-00108-0007      | Frn/Met |
| AK60-00111-0008         | Itl/Met | AK60-00108-0008      | Itl/Met |
| AK60-00111-0009         | Dut/Met | AK60-00108-0009      | Dut/Met |
| AK60-00111-0010         | Por/Met | AK60-00108-0010      | Por/Met |

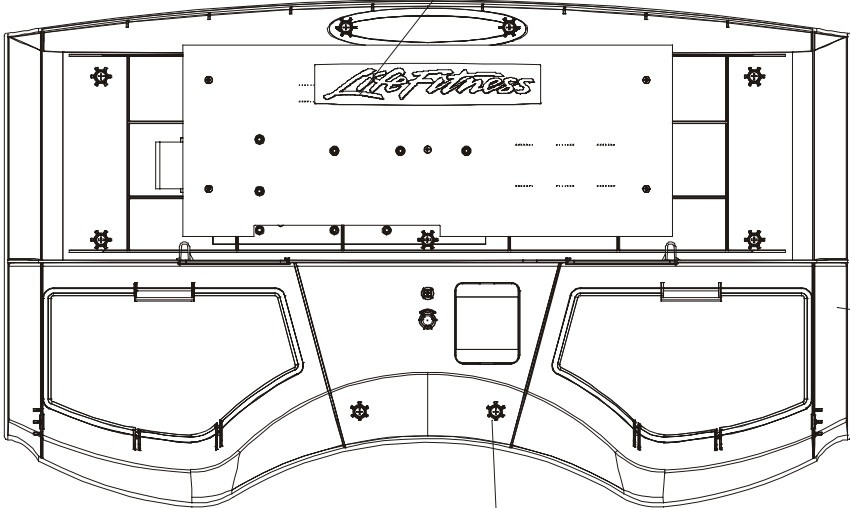


Console Assembly (2 of 3)



Left Wire Cover  
OK60-01041-0003

Right Wire Cover  
OK60-01041-0004

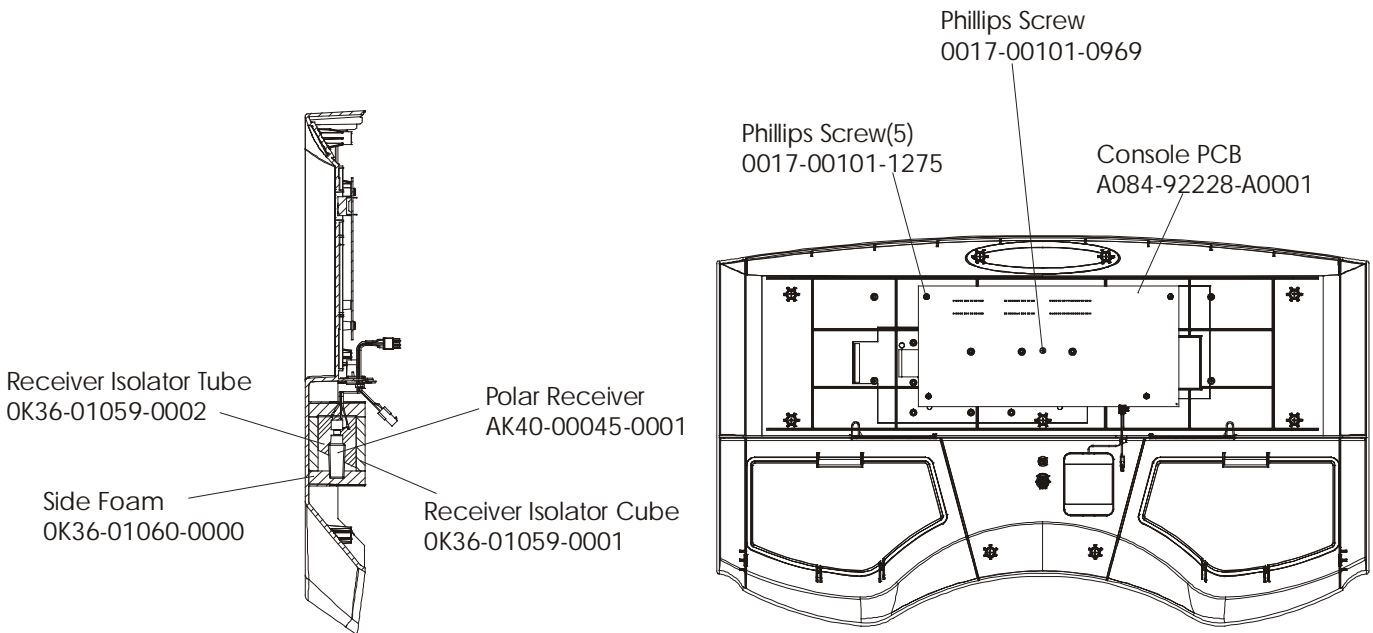
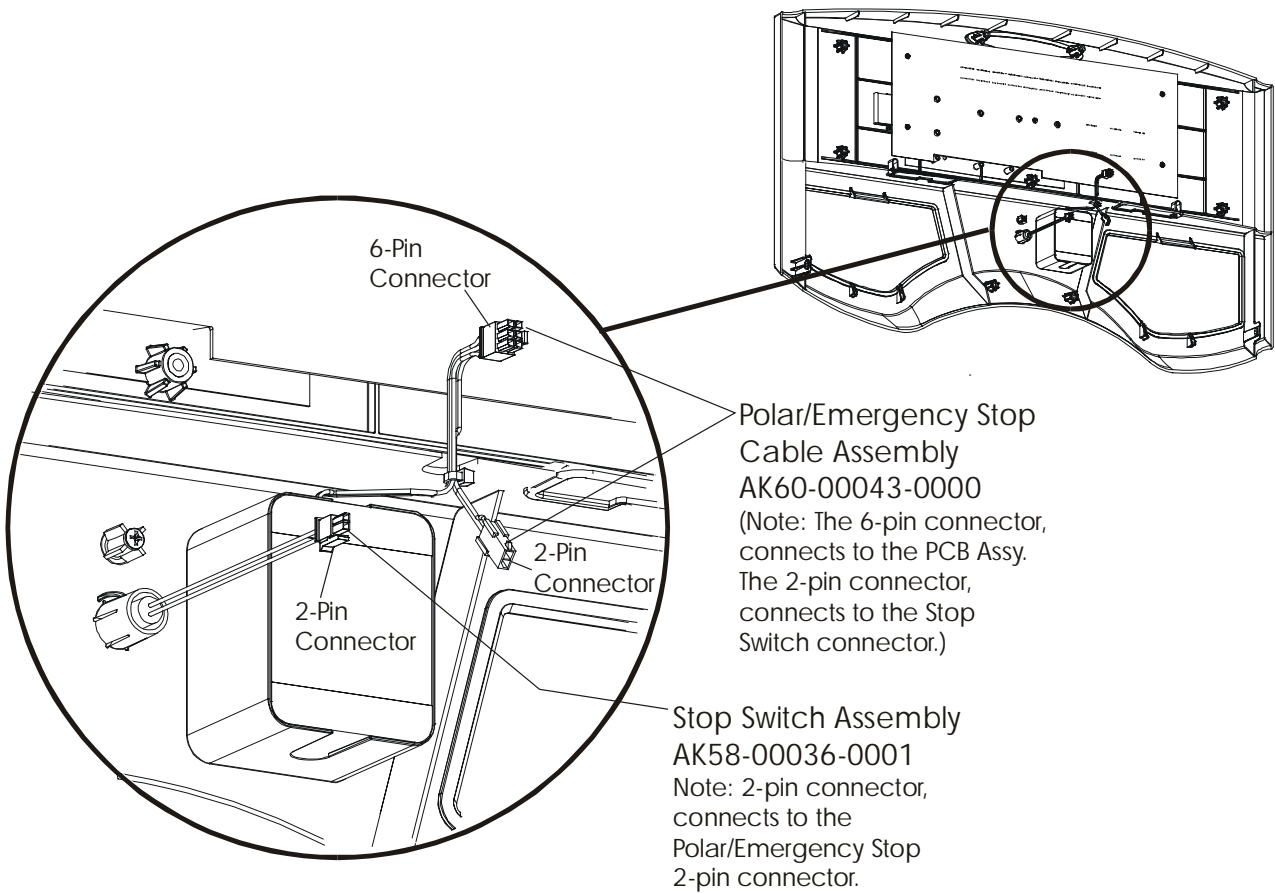


Rear Decal  
OK58-01176-0000

Rear Console Case  
OK60-01072-0001

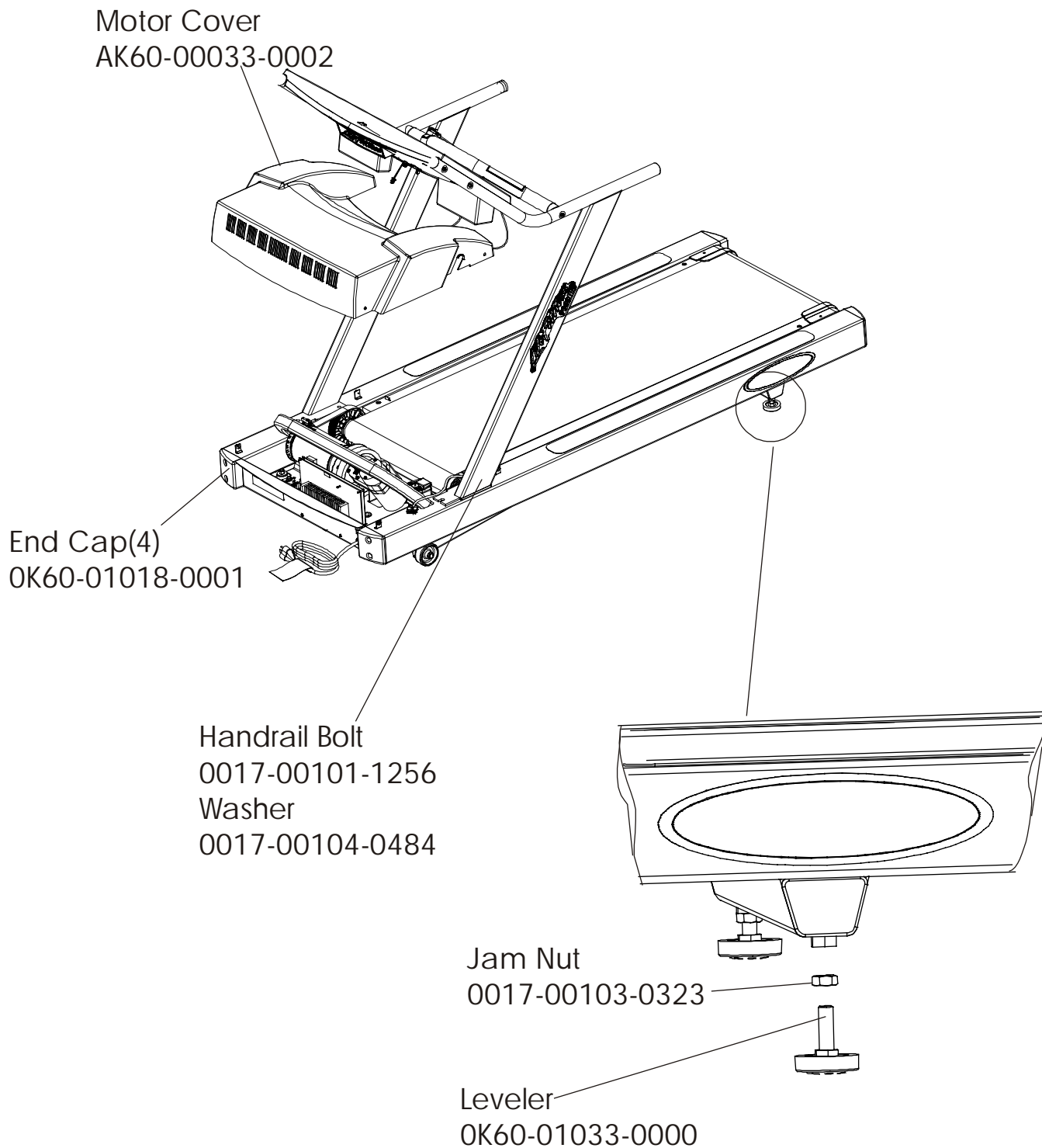
Phillips Screw(9)  
0017-00101-1288

Console Assembly (3 of 3)

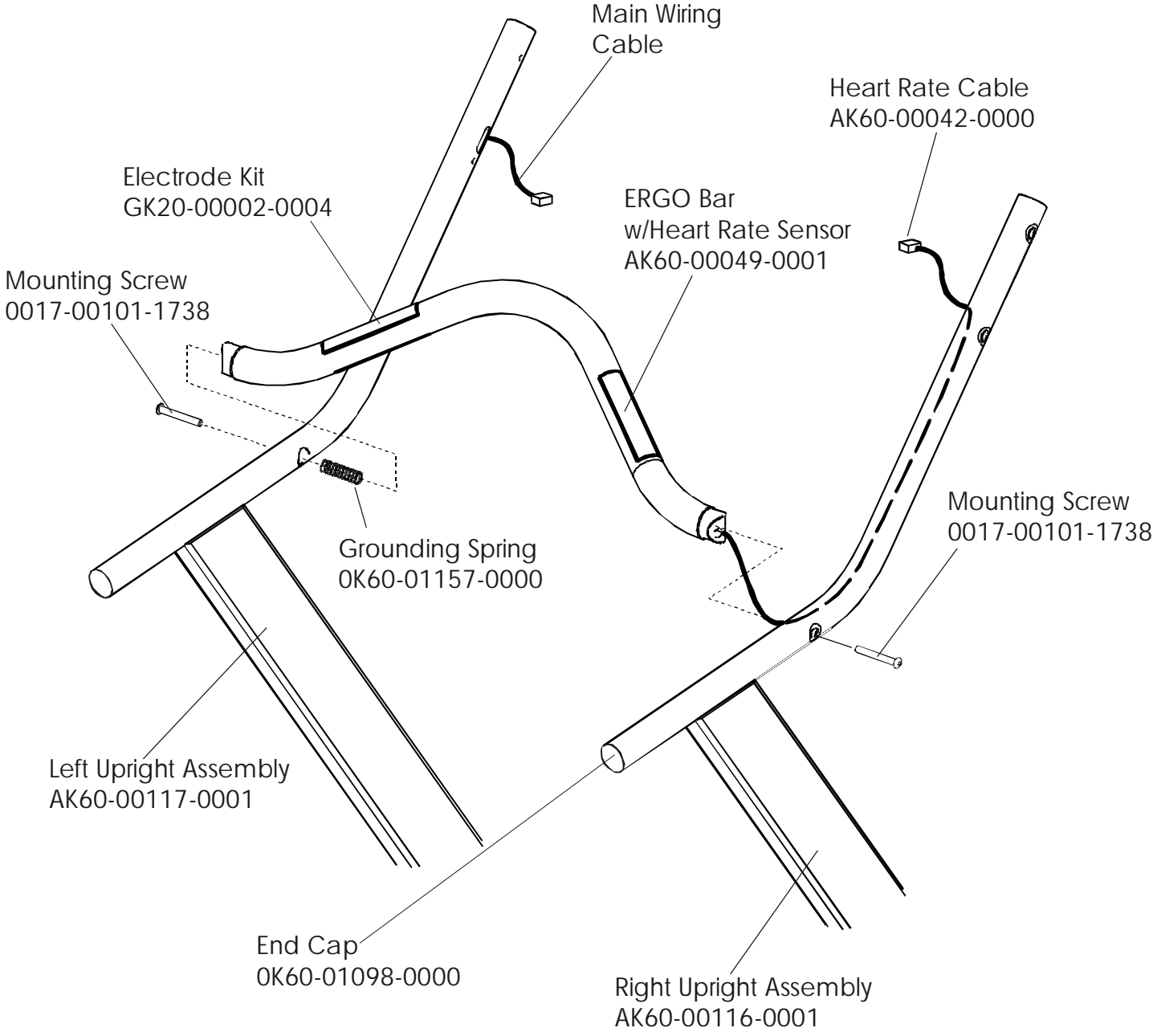


**Motor Cover, Leveler, and End Caps**

---



ERGO Bar and Upright Assembly

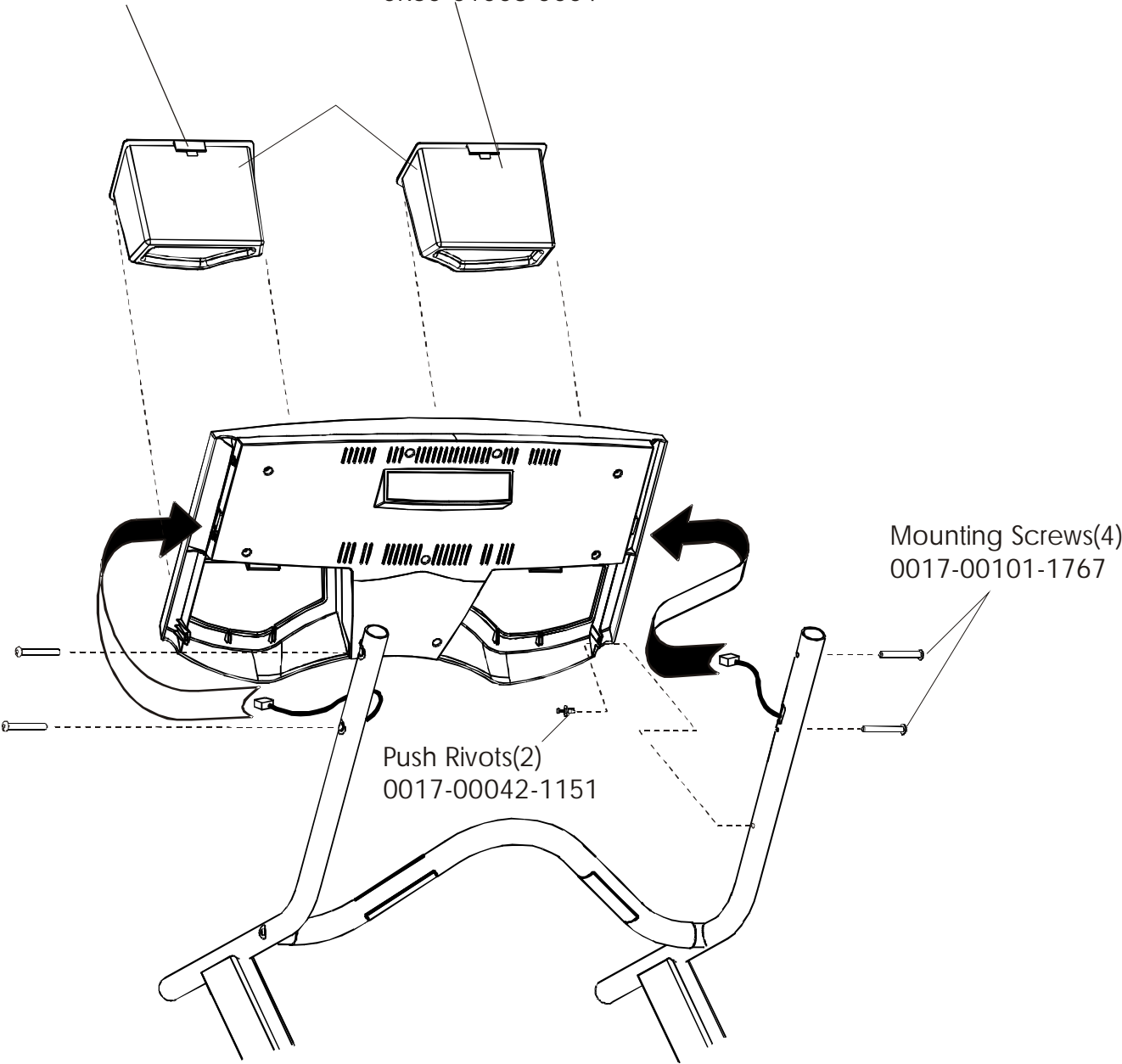


Accessory Trays

---

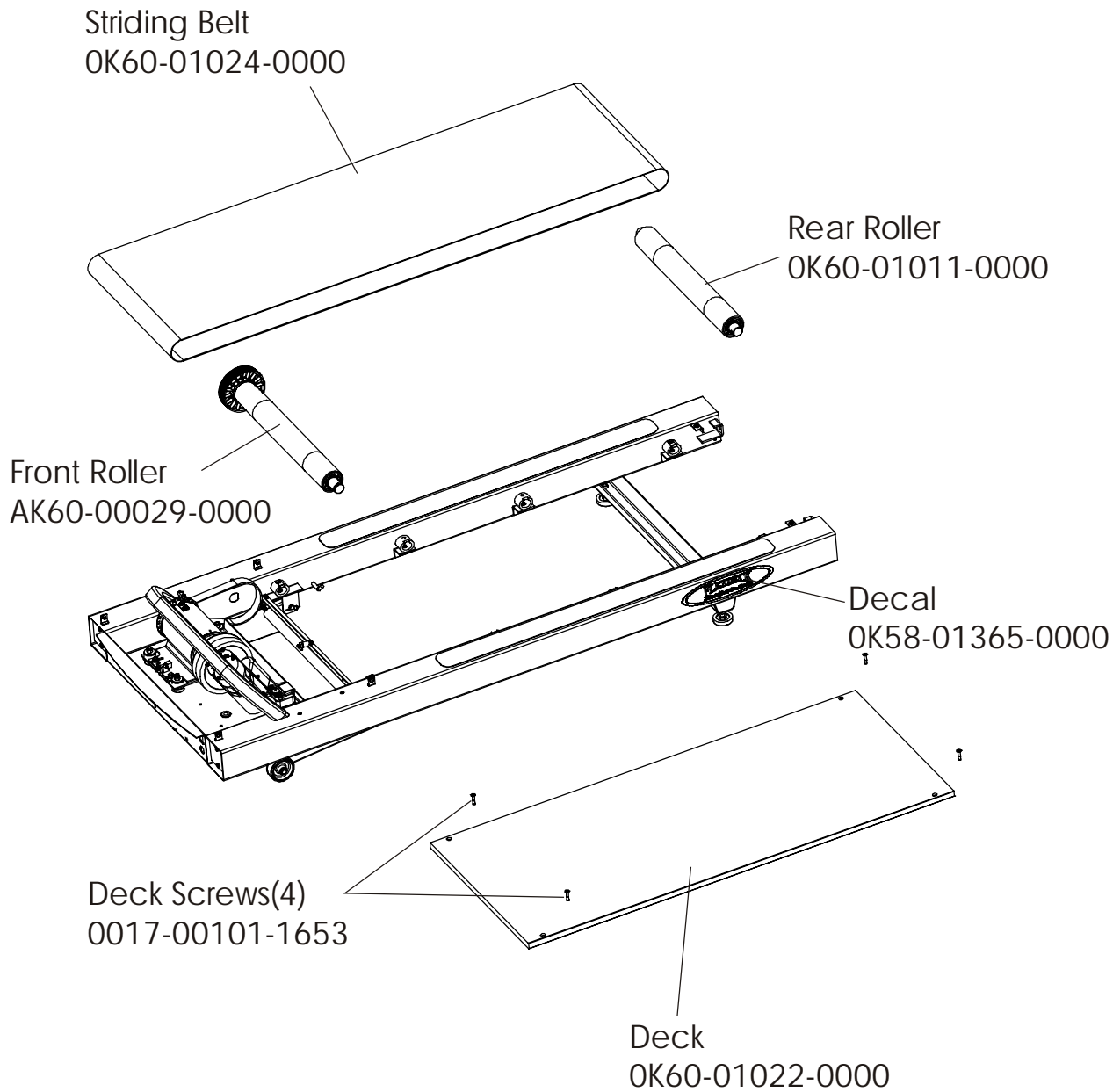
Accessory Tray RT  
OK60-01008-0003

Accessory Tray LT  
OK60-01008-0004



**Belt, Deck, and Rollers**

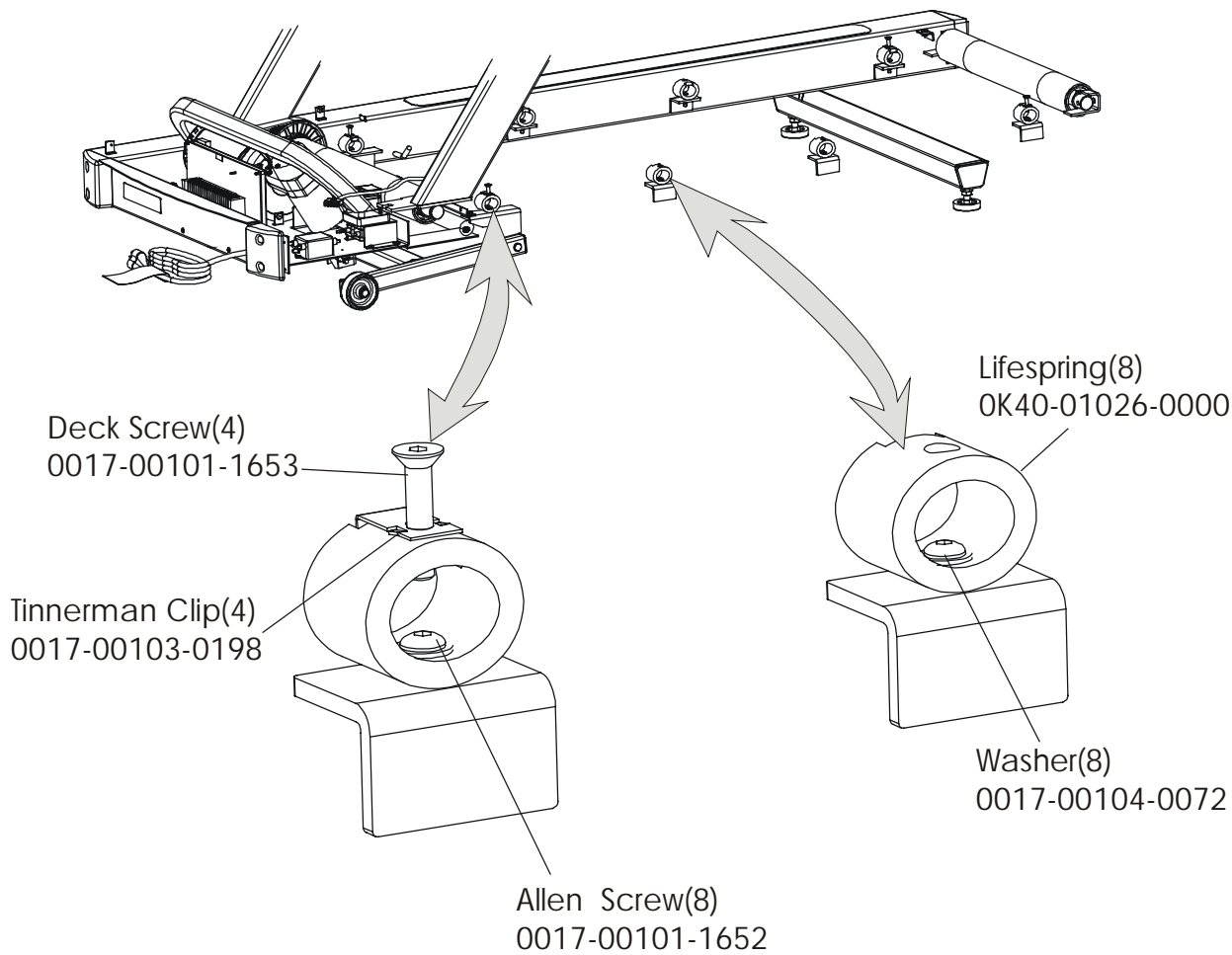
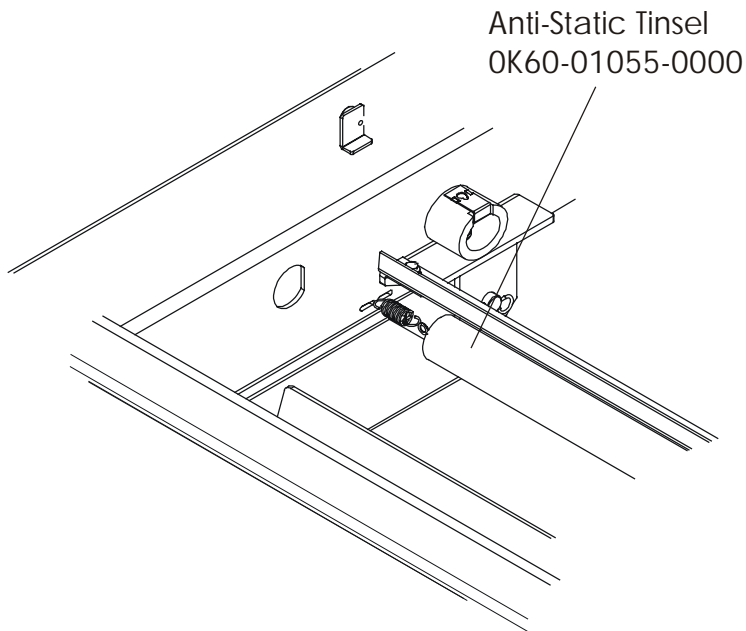
---





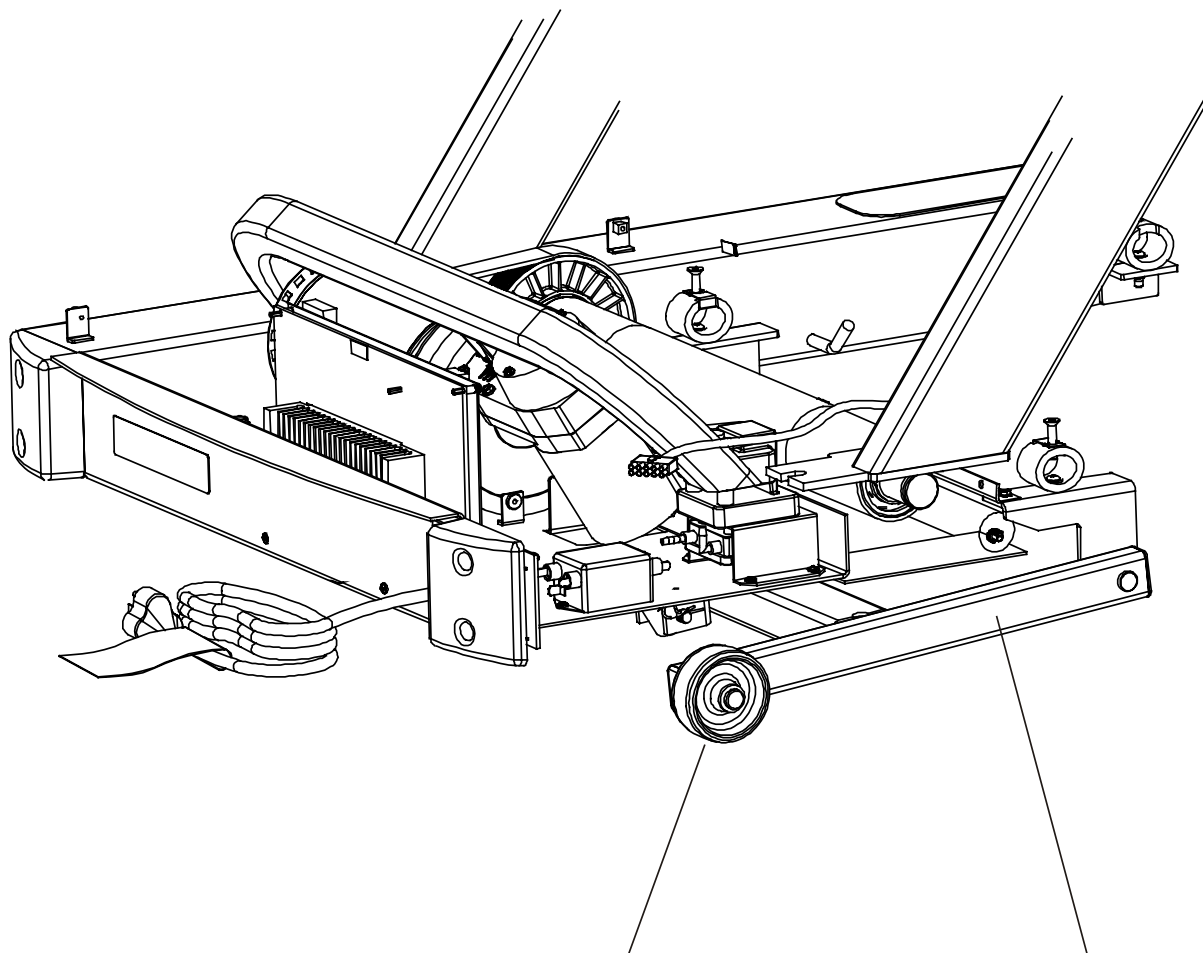
Lifesprings & Anti-Static Tinsel

---



Lift Frame Assembly

---



- Wheel Assembly
- 0K60-01020-0000
- Cap
- 0K60-01092-0001
- Cotter Pin
- 0017-00007-0208
- Clevis Pin
- 0017-00007-0272

- Lift Frame Assembly
- AK60-00065-0001

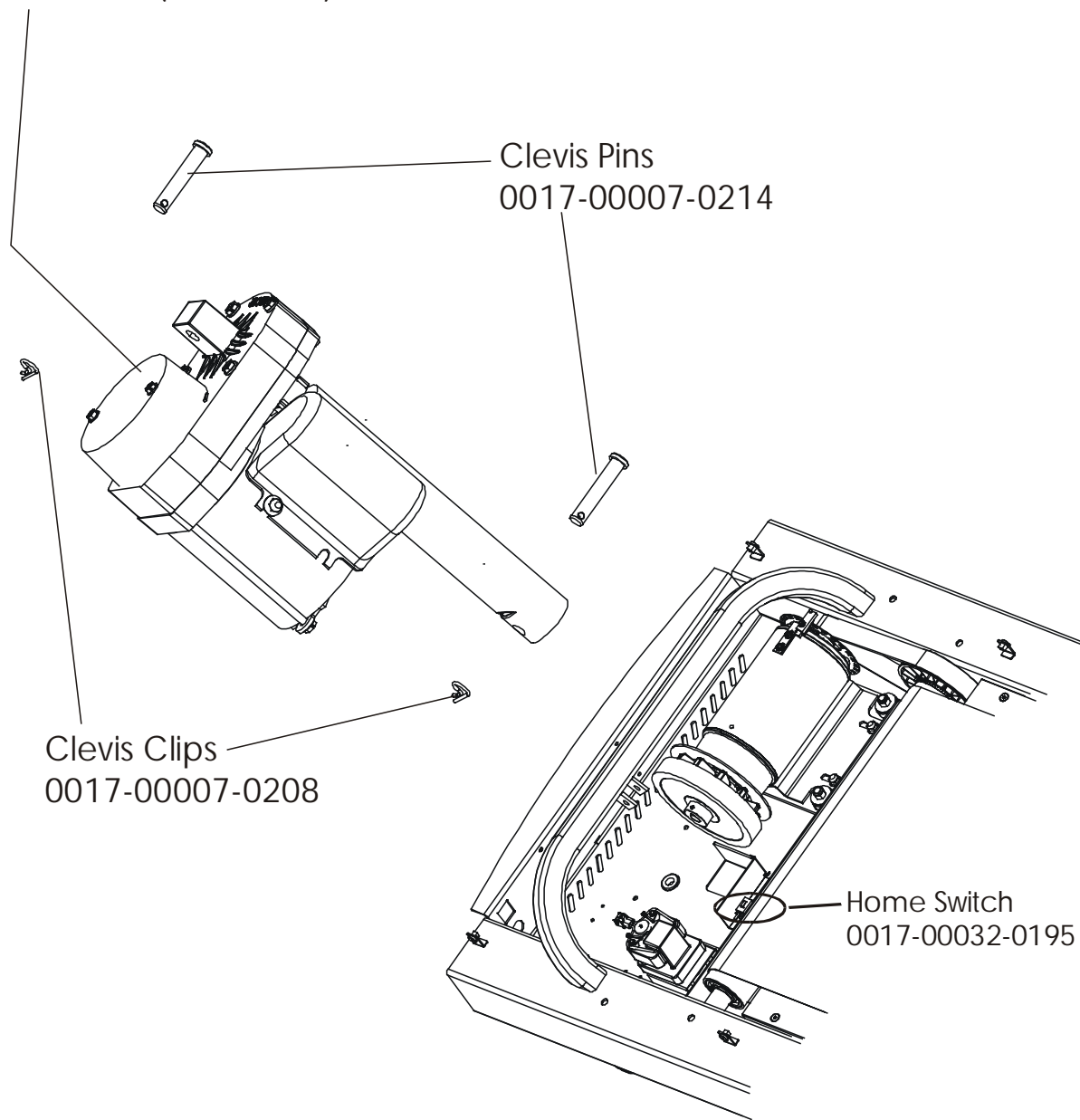
**Lift Motor and Home Switch**

---

Lift Motor

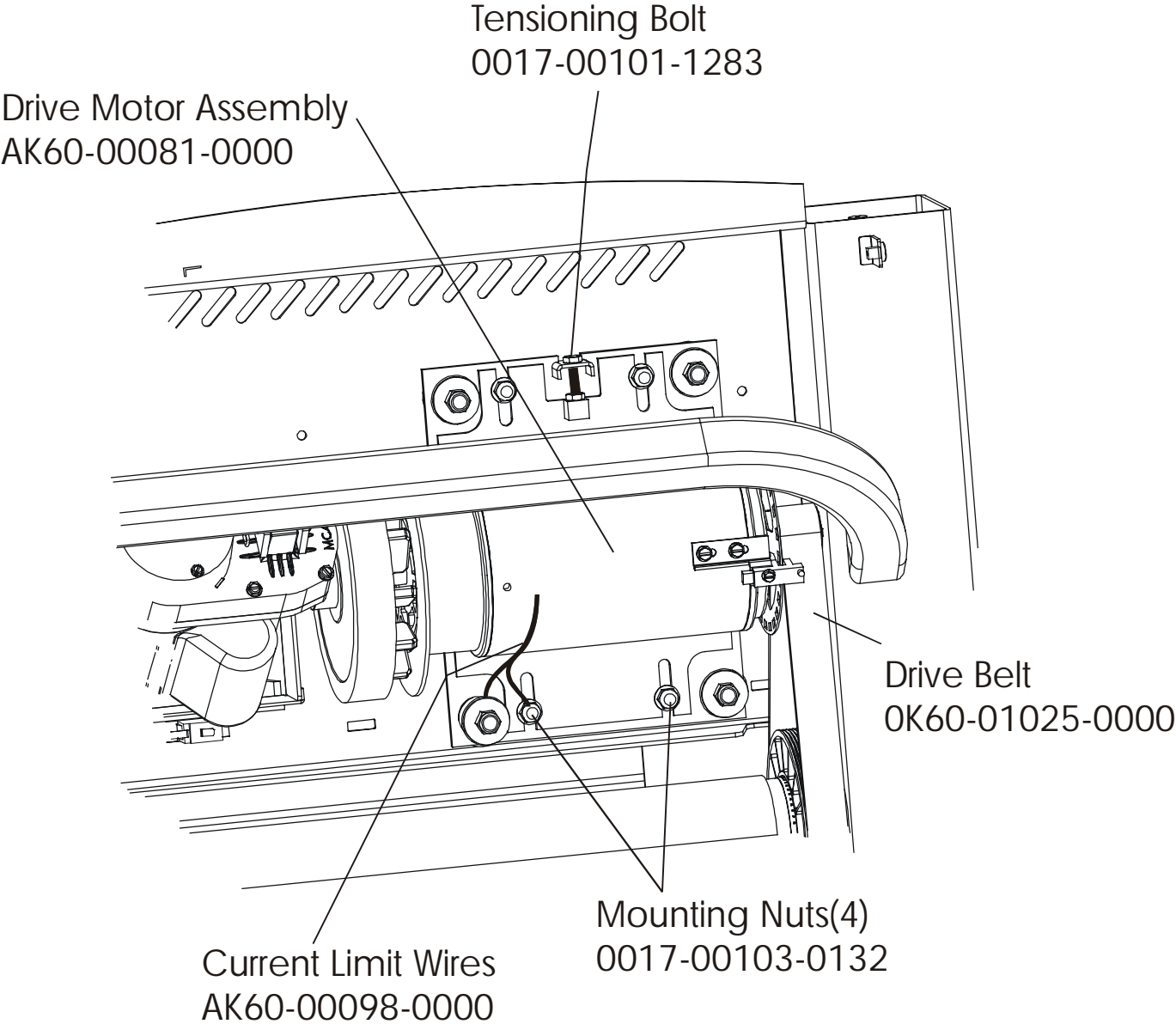
OK60-01094-0000 (120v)

OK60-01166-0000(220v/60Hz)



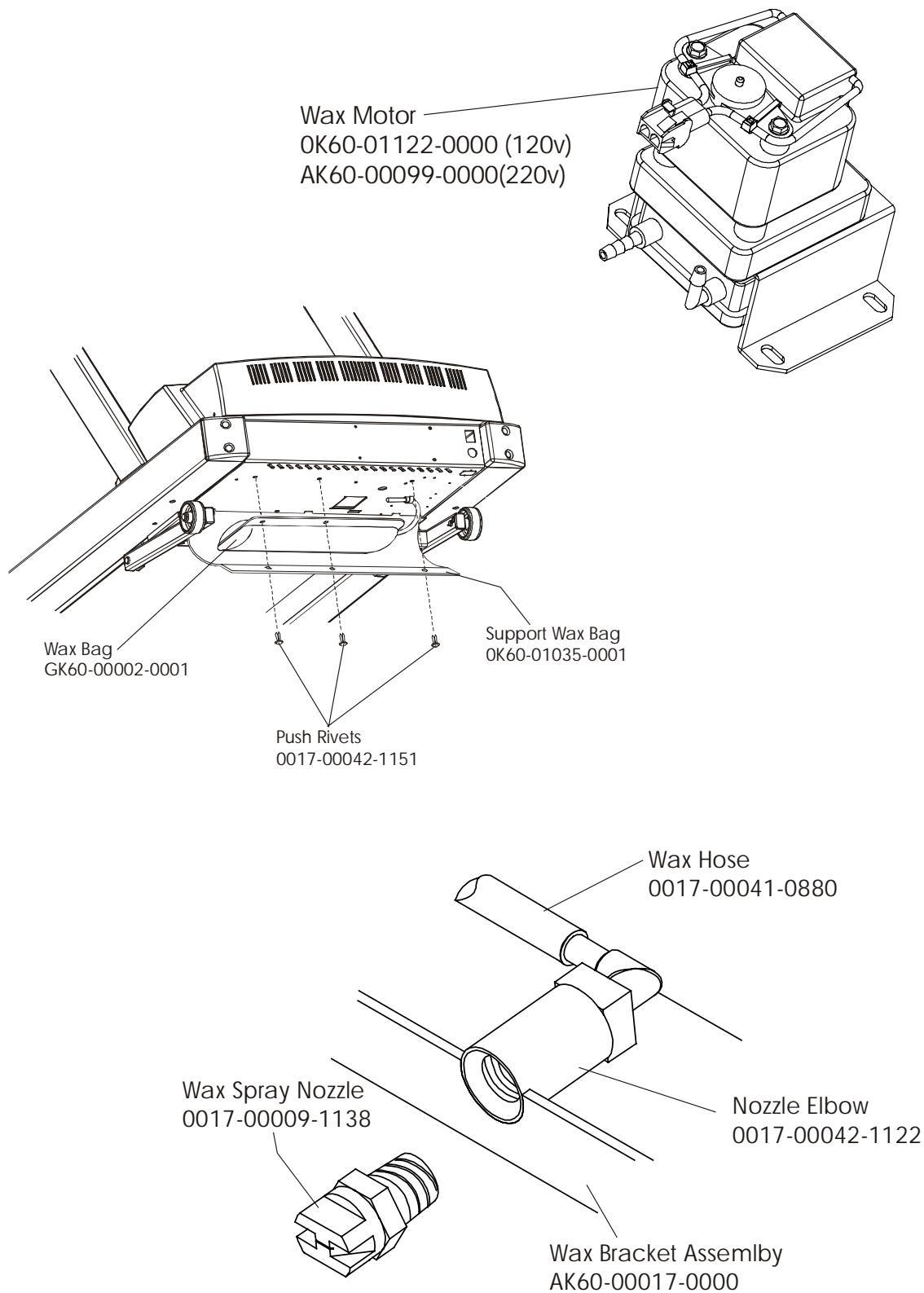
Drive Motor Assembly

---



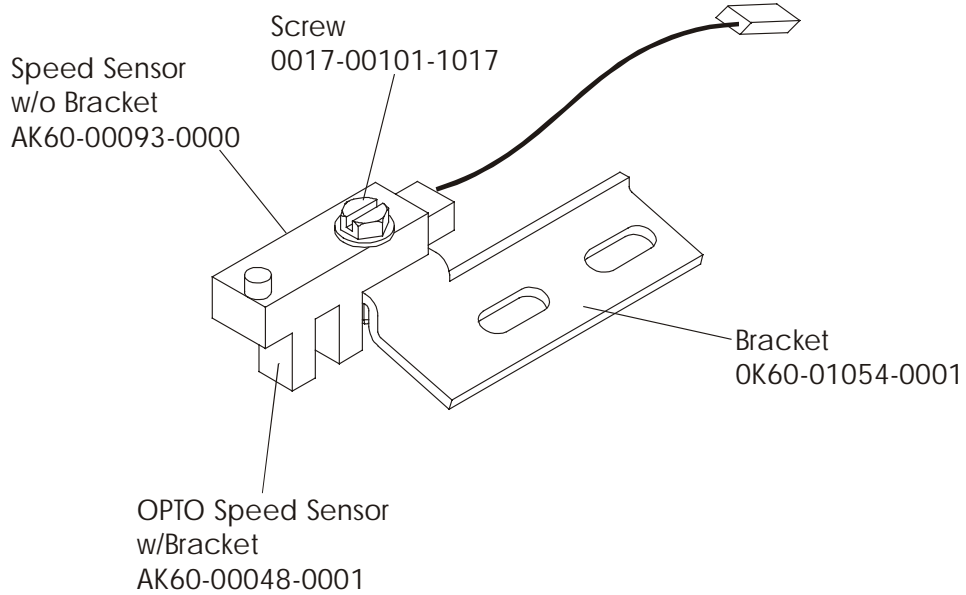
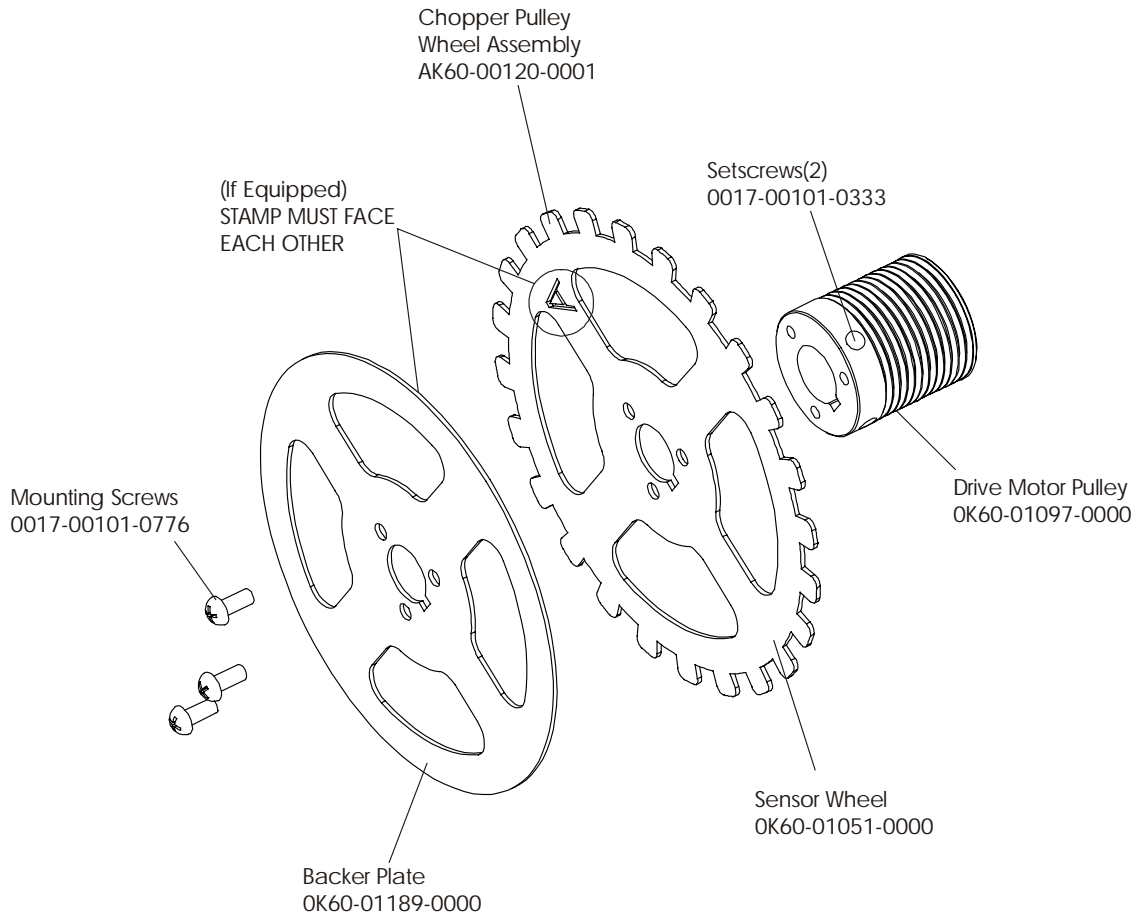
Wax Motor, Wax Bag, and Wax Nozzle & Bracket

---



Sensors

---

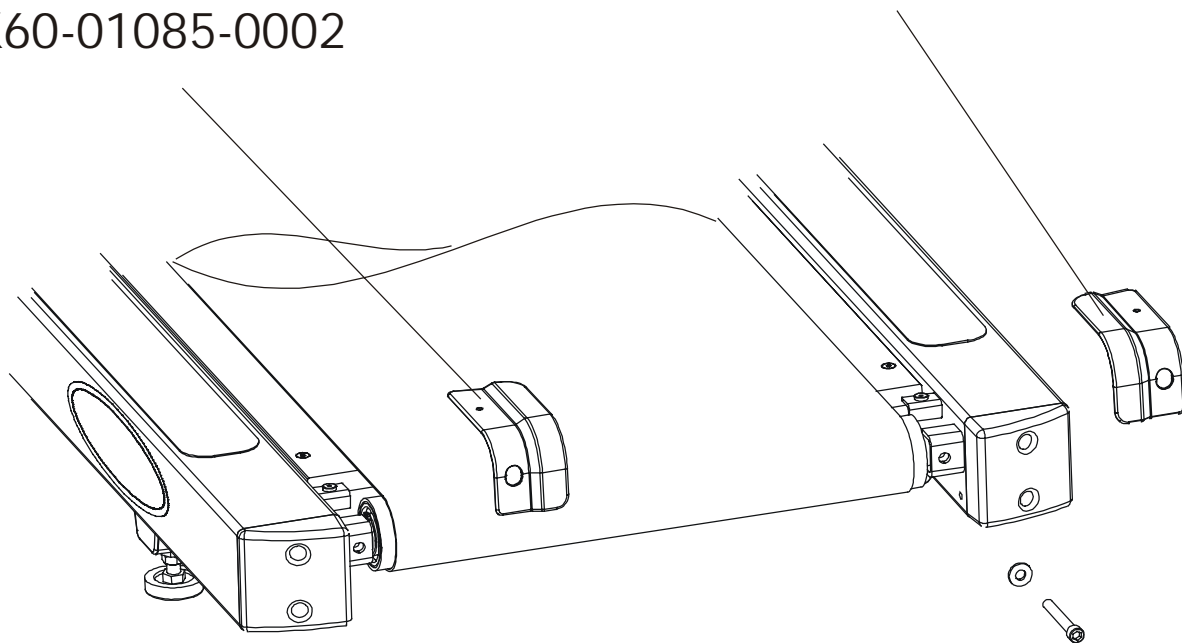


Rear Roller Cover Guards

---

Rear Roller  
Cover Guards LT  
OK60-01085-0002

Rear Roller  
Cover Guards RT  
OK60-01085-0001

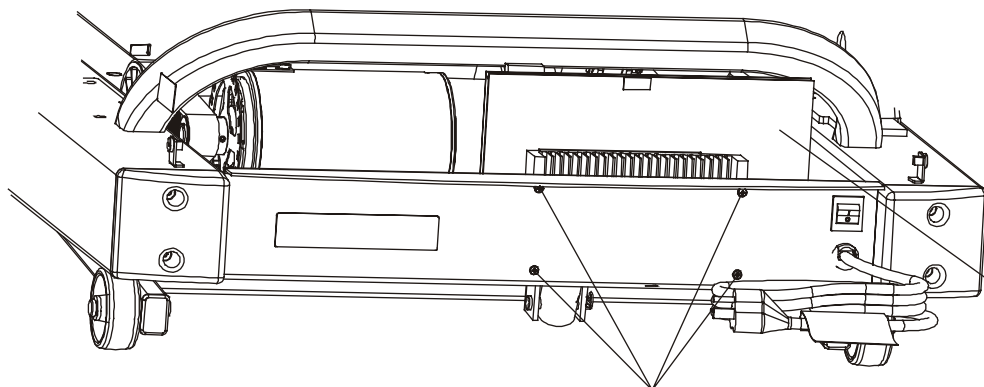


Washer(2)  
0017-00104-0334

Rear Roller  
Adjusting Bolt(2)  
0017-00101-1714

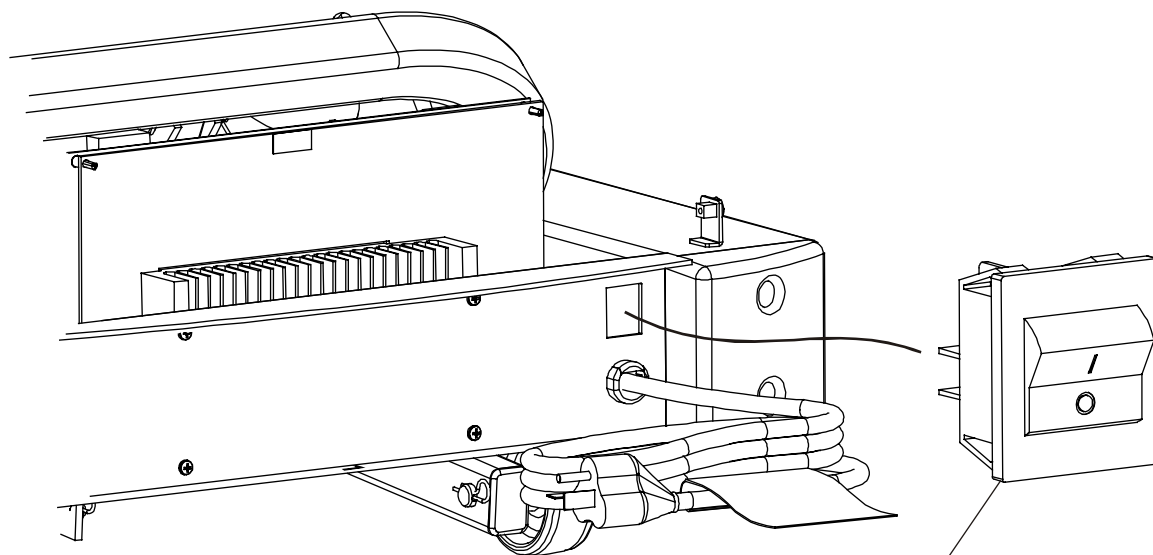
**DC Controller and ON/OFF Switch**

---



DC Controller  
Mounting Screws(4)  
0017-00101-0162

DC Controller  
GK60-00002-0002  
100-120 Volts/50-60 Hz  
GK60-00002-0003  
200+ Volts/50-60 Hz

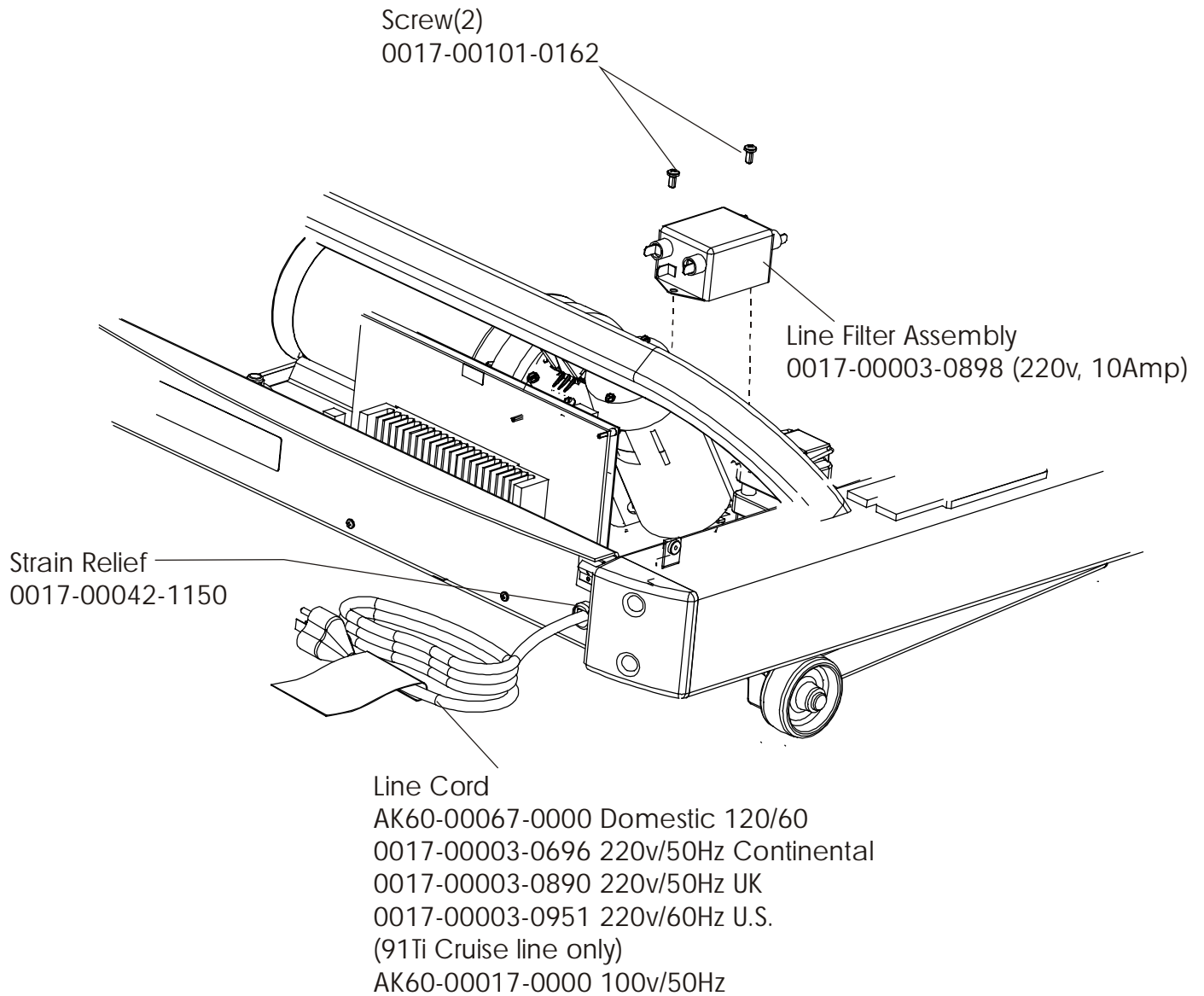


ON/OFF Switch  
0017-00032-0198



**Line Filter Assembly and Line Cord**

---



Cables

